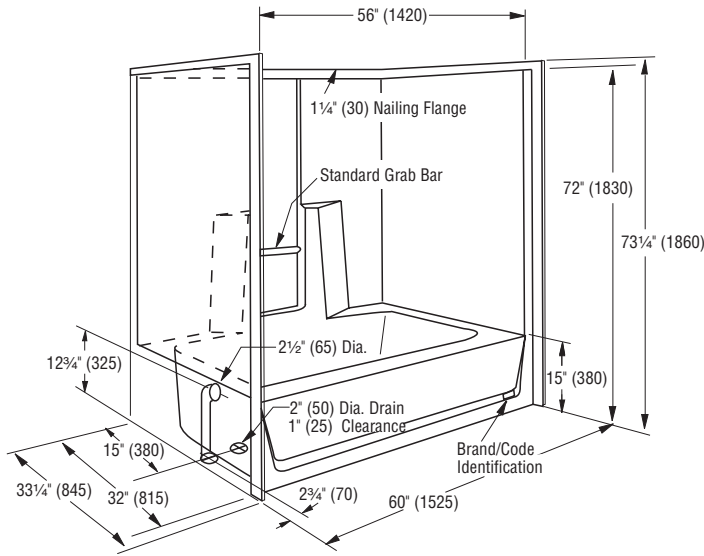


2603SG

60 x 32 x 72 (1525 x 815 x 1830)

Fax on Demand #1074



FEATURES

Dimensions: inches (mm)

Model #	Material	Product Type	Wall Finish	Pieces	Drain	Net Wt lbs (kg)	Pkg Wt lbs (kg)
2603SG	Gelcoat	Tub-shower	Smooth	1	LH or RH	124 (56)	129 (59)

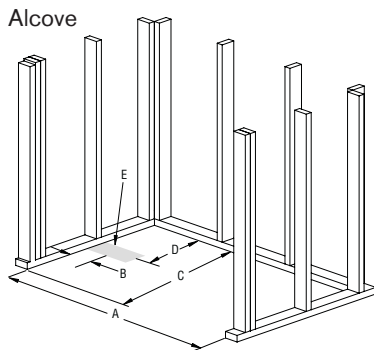
OPTIONS

Model #	Color	Accessories
2603SG	Premium, Special	DWO, Grab Bar, Shower Door

SUMP DATA

Top of Drain to Bottom of Overflow	Capacity to Overflow gal (ltr)	WIDTH @ centerline		DEPTH @ centerline	
		Top	Bottom	Top	Bottom
9 7/8 (250)	42 (159)	53 1/2 (1360)	45 3/4 (1160)	22 1/4 (565)	20 3/4 (525)

FRAMING DIMENSIONS



LEGEND:
A = Overall Width
B = Rough-in
C = Overall Depth
D = Rough Center

TYPE	A	B	C	D	E: BOX OUT
Alcove	60 1/8 (1525)	2 3/4 (70)	33 1/4 (845)	15 (380)	6 x 12 (150 x 305)